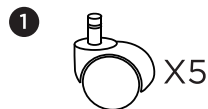




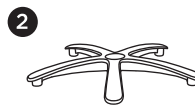
Tools Required

Allen key provided.
No additional tools required.

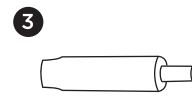
Parts Included



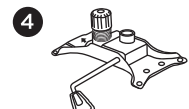
Casters X5



A base



A gaslift



A mechanism



A seat



A backrest



2 Armrests



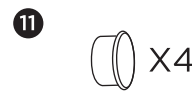
Rear mechanism screws X2
5/16*25MM



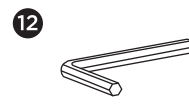
Front mechanism screws X6
Backrest screws 5/16*35MM



Armrest screws X4
M8*50MM



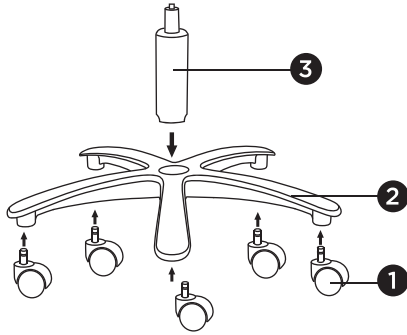
Plastic caps X4



An allen key

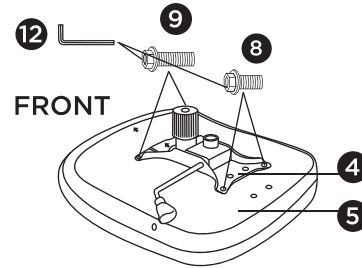
Step 1

Insert casters (1) into base (2). Insert gaslift (3) into base (2).



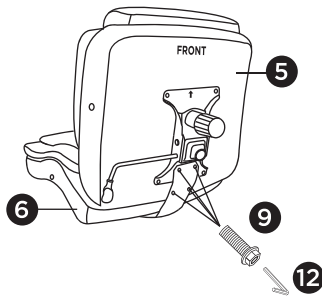
Step 2

Attach mechanism (4) to seat (5) with the arrow towards the front of the chair. Use 2 front mechanism screws (9) & 2 rear mechanism screws (8) to attach the mechanism. Fully tighten all screws using an allen key (12).



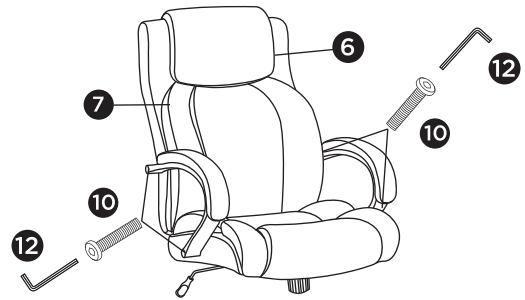
Step 3

Attach backrest (6) to mechanism (4) using 4 backrest screws (9). DO NOT tighten screws until you have completed assembly.



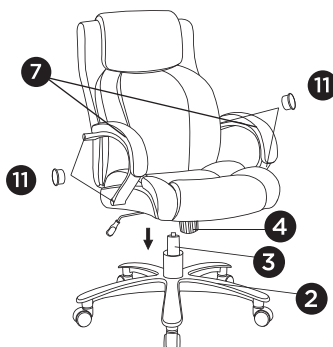
Step 4

Attach armrest (7) to seat and backrest using 4 armrest screws (10). Fully tighten all screws using an allen key (12). Remember to tighten the backrest screws.



Step 5

Cover holes in armsrest (7 L&R) using 4 plastic caps (11). Attach assembled chair to base (2) & gaslift (3).



Step 6

Sit on the chair to secure.

